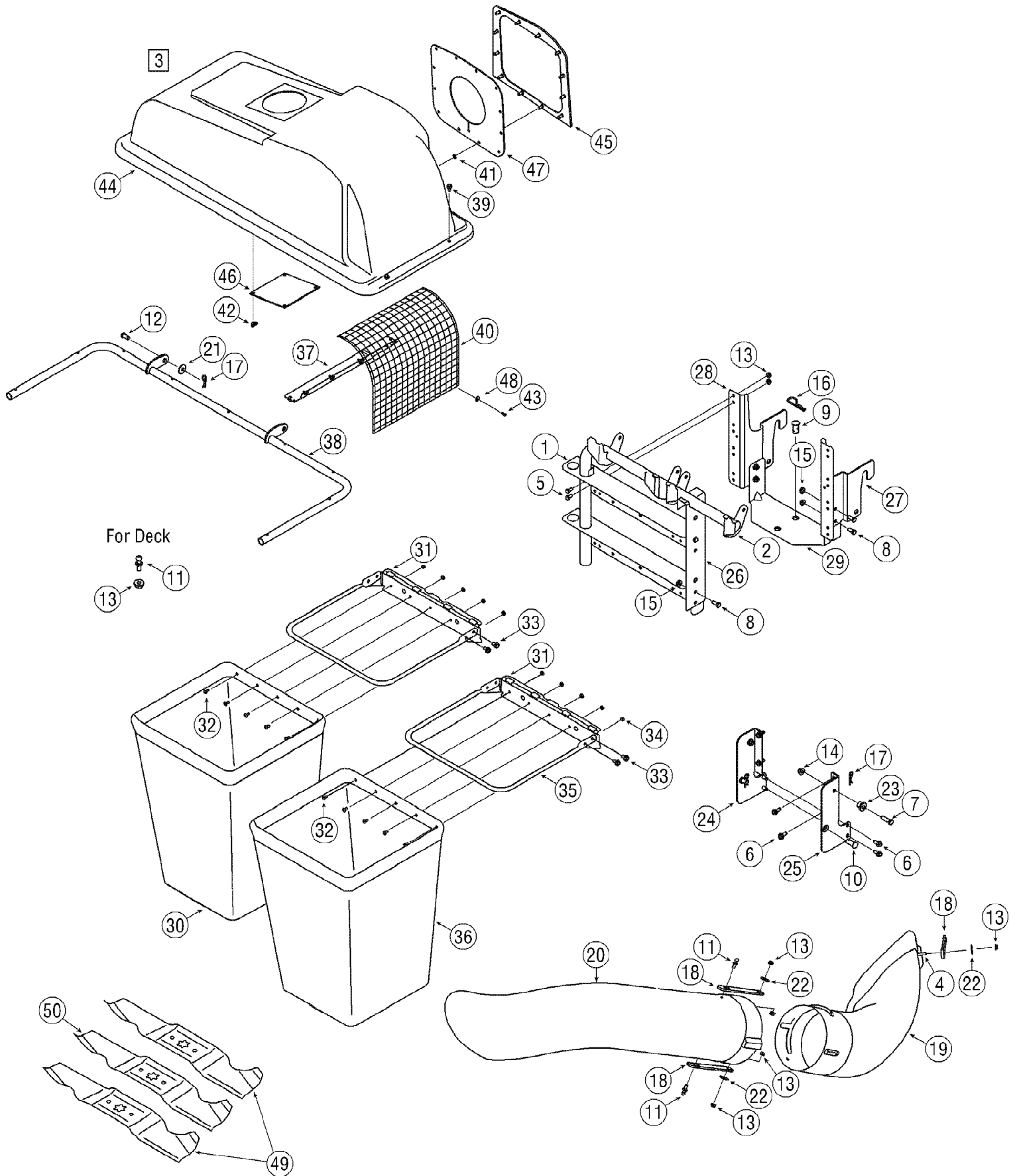


190-180-190 Twin Bagger (2007)
Bagger Assembly



190-180-190 Twin Bagger (2007)
Bagger Assembly

Page 2 of 3

Ref #	Part Number	Qty	S/P/F	Description
1	16587D	1	S	Support Bracket: Bagger
2	16592	1	S	Support Tube Assembly
3	664-04017	1		Grass catcher Cover Assy (includes Ref. 37 - 48)
4	710-0597	1	/P	Screw 1/4-20 x 1"
5	710-0751	1	/P	Hex Head Screw 1/4-20 x .62
6	710-1260A	1	/P	Self-Tap. Screw 5/16-18 x .75
7	710-3005	1	/P	Hex Hd. Screw, 3/8-16 x 1.25
8	710-3008	1	/P	Hex Hd. Screw, 5/16-18 x .75
9	711-0309A	1	/P	Clevis Pin, .62 Dia.
10	711-0310	1	S	Clevis Pin, .50 x 1.18
11	711-04069	1	S	Grass Catcher Pin 1/4-20
12	711-1421	1		Clevis Pin, 3/8 x .75
13	712-04064	1	/P	Hex Flange Lock Nut, 1/4-20
14	712-04065	1	/P	Hex Flange Lock Nut, 3/8-16
15	712-3004A	1	/P	Hex Flg. Lock Nut, 5/16-18
16	714-0117	1	/P	Hairpin Clip
17	714-0145	1	S	Click Pin
18	723-04008A	1	/P	Chute Strap
19	731-04153	1	S	Discharge Chute 38"/42" Deck
19	N/A	1		Discharge Chute 46" Deck
20	731-0899E	1	/P	Chute Tube 38"/42" Deck
20	731-0926B	1	/P	Chute Tube 46" Deck
21	736-0331	1	/P	Bell Washer
22	736-3092	1	/P	Flat Washer
23	738-04058	1		Shoulder Spacer
24	783-04919	1	S	Mounting Bracket, LH
25	783-04968	1	S	Mounting Bracket, RH
26	783-0601	1	S	Mounting Bracket
27	783-0673B	1	S	Mounting Bracket RH
28	783-0764B	1	S	Mounting Bracket LH
29	783-0765	1	S	Bracket: Cross Support
30	764-0221	1	S	Catcher Bag Assembly
31	16591A	1	S	Bag Hanger Bracket
32	710-0473	1	/P	Machine Screw, , #10-24 x .5
33	710-0604A	1	/P	Self-tap. Scr., 5/16-18 x .625
34	712-0272	1	/P	Hex Sems Nut, #10-24
35	749-0701A	1	S	Grass Bag Frame
36	764-0221	1	S	Grass Catcher Bag
37	16595B	1		Screen Mounting Bracket
38	16596	1	S	Hinge Assembly
39	710-1652	1	/P	Self-Tap. Screw 1/4-20 x .625
40	720-04017	1		Grass catcher Sceen
41	726-0233	1	/P	Push Nut, .25 x .50
42	726-0258	1		Zip Twist Fastener
43	728-0123	1	S	Pop Rivet, 3/16 x .450
44	731-04167	1		Double Grassbag Cover
45	731-04189	1	S	Grassbag Hopper Seal
46	731-0824A	1	/P	Plastic Plate, 1/8 x 5.6
47	735-04020	1	S	Grassbag Hopper Seal
48	736-0400	1	S	Flat Washer, .194 x .62 x .063
49	N/A	1		N/A, 46" Deck only

190-180-190 Twin Bagger (2007)
Bagger Assembly

Page 3 of 3

Ref #	Part Number	Qty	S/P/F	Description
50	N/A	1		N/A 46" Deck only
